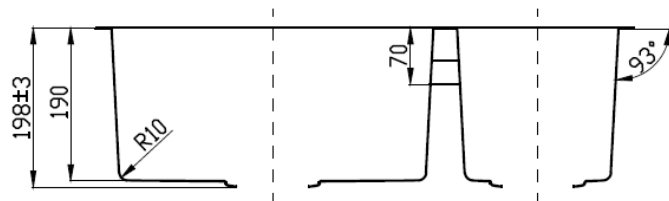
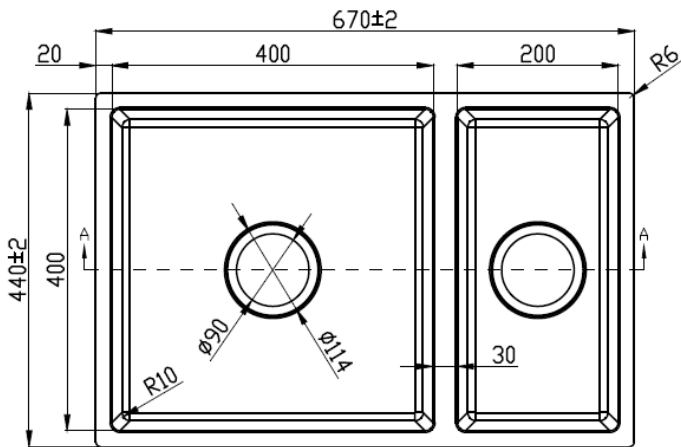


P&P



Above / Undermount Nested Double Bowl Sink

PR670ND-A

Information

- **Make:** Fabricated R10 Corner
- **Finish:** 304 Stainless Steel
- **Overall:** 670 x 440 x 198 mm
- **Thickness:** 1.2 mm
- **CLIPS:** YES
- **Basket Waste:** YES
- **Drain Location:** Centered
- **This sink is stack packed in bulk**

Important Note:

Cut-out template is included in the carton box.
Fabricator must check it for accuracy.
We are not responsible for incorrect cutting.

Maintenance and Care

- Do not use harsh detergents or products that contain chloride & halides.
- Do not use abrasive, cream or citrus based cleaners or hydrochloric acid.
- Surface should be cleaned only with a mild detergent that must be rinsed off.
- It is suggested to only clean with warm water and a soft cloth.
- Damage caused by the wrong cleaning methods used will void warranty.

Please visit <https://www.aclco.com.au/warranty.html> to view the full warranty