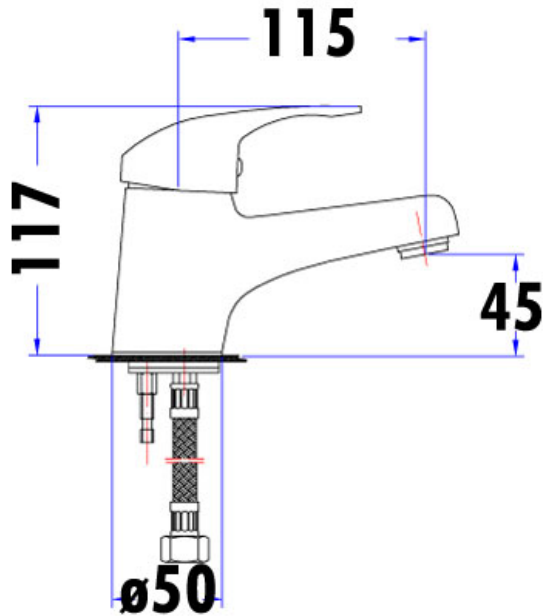


P&P



Mina Basin Mixer

PQ-2001SW

Information

Finish: Chrome

WELS: 5 Star 5.5 L/Min (T37853)

Material: Brass

Cartridge: 40mm Cartridge

Working Pressure: 150-500 kpa

Operating Temperature: 1°C to 70°C

Maintenance and Care

- Do not use harsh detergents or products that contain chloride & halides.
- Do not use abrasive, cream or citrus based cleaners or hydrochloric acid.
- Surface should be cleaned only with a mild detergent that must be rinsed off.
- It is suggested to only clean with warm water and a soft cloth.
- Damage caused by the wrong cleaning methods used will void warranty.

Please visit <https://www.aclco.com.au/warranty.html> to view the full warranty