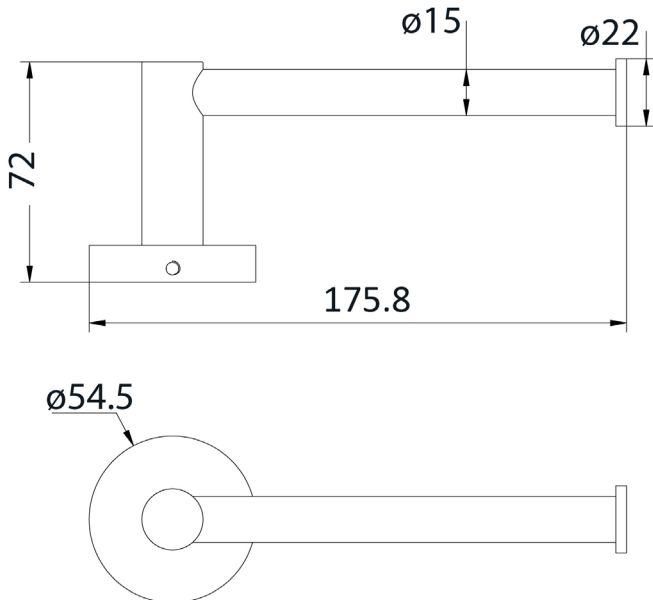


P&P



Available in



Matt Black
8116A-B

Brushed Gold
8116A-BG

Brushed Nickel
8116A-BN

Gun Metal
8116A-GM

Otus Paper Holder

8116A

Information

Finish: Chrome
Material: Brass

Maintenance and Care

- Do not use harsh detergents or products that contain chloride & halides.
- Do not use abrasive, cream or citrus based cleaners or hydrochloric acid.
- Surface should be cleaned only with a mild detergent that must be rinsed off.
- It is suggested to only clean with warm water and a soft cloth.
- Damage caused by the wrong cleaning methods used will void warranty.

Please visit <https://www.aclco.com.au/warranty.html>
to view the full warranty